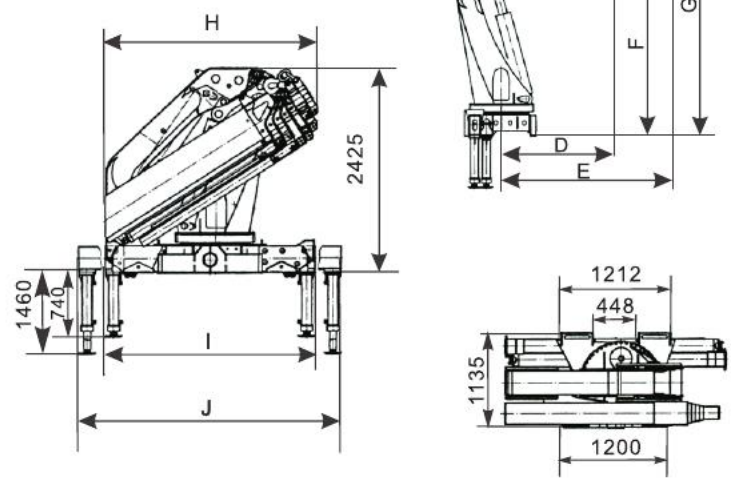


X(MM)	A	Amax	B	Bmax	C
BS 380.4	6730	14080	4070	11580	2080
BS 380.5	6760	15980	4090	13518	2115
BS 380.6	6872	18025	4200	15600	2115



3804	m	1.9	4.06	6	7.8	9.68	11.6		
	kg	18000	7800	5200	3700	3100	2700		
3806	m	1.85	4.21	6	7.89	9.82	11.73	13.65	15.6
	kg	18000	7400	5000	3450	2700	2300	2100	1850

	BS 380.4	BS 380.5	BS 380.6
Lifting Capacity(KN.m)	360	360	360
Standard Reach(m)	11.6	13.55	15.62
Hydraulic Extension (m)	3.54	5.8	5.8
Rotation	∞	∞	∞
Working Pressure(MPa)	31	31	31
Pump Capacity(cc/r)	40-100	40-100	40-100
Oil Tank Capacity (L)	170	170	170
Crane Weight (kg)	5200±50	5600±50	5770±50



X(MM)	D	E	F	G	H	I	J
BS 380.4	1465	2320	2660	4246.5	2408	2416	5956
BS 380.5	1510	2350	2675	4286.5	2450	2450	8250
BS 380.6	1590	2460	2595	4286.5	2455	2450	8250

Optional: B.S.3805 and B.S. 3806 Hydraulic extension for outrigger could reach 3.5m or 5.8m upon request