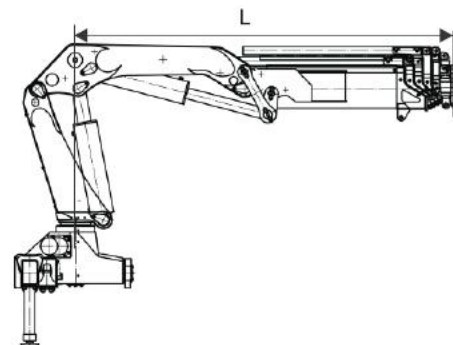
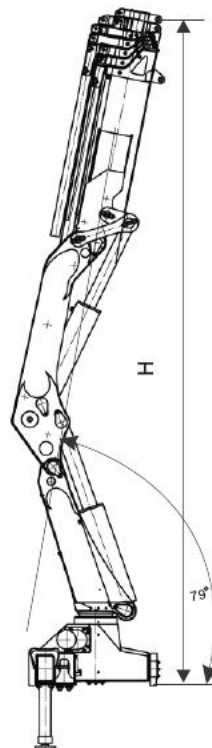


560.4	m	1.89	4.37	6.20	8.06	9.98	11.90		
	kg	28000	11800	8300	6200	5300	4260		
560.6	m	1.86	4.51	6.33	8.20	10.11	12.03	13.95	15.92
	kg	28000	11400	8000	5900	5100	4130	3200	2800



	BS 560.4	BS 560.6
Lifting Capacity(KN.m)	560	560
Standard Reach(m)	11.9	15.92
Hydraulic Extension (m)	5.8	5.8
Rotation	365°	365°
Working Pressure(MPa)	30	30
Pump Capacity(cc/r)	Below 80	Below 90
Oil Tank Capacity (L)	190	190
Crane Weight (kg)	6250±50	6700±50

X(MM)	L	H
BS 560.4	4375	7076
BS 560.6	4510	7220