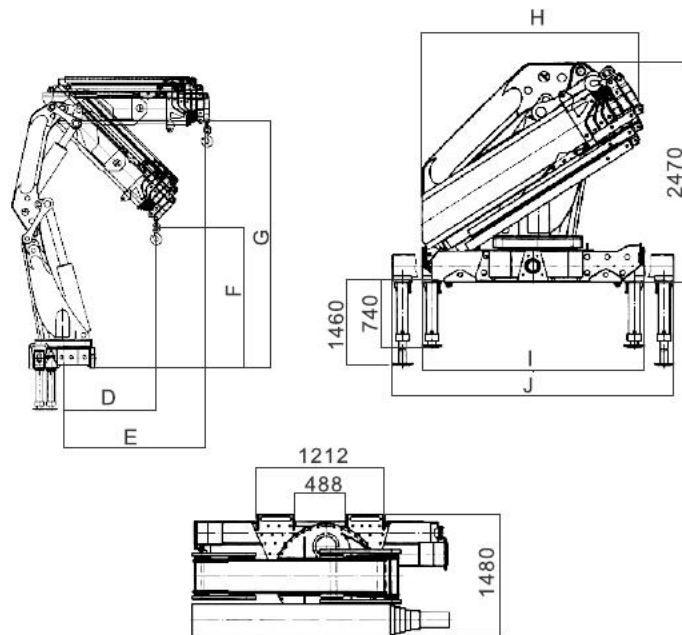


X(MM)	A	A _{max}	B	B _{max}	C
BS 680B.4	6765	14123	4077	11606	2090
BS 680B.5	6790	16023	4096	11809	2130
BS 680B.6	6898	18058	4206	15619	2140



680B4	m	1.89	2.5	4.1	5.9	7.8	9.7	11.6		
	kg	32000	23700	13170	9403	6865	5540	4600		
680B6	m	1.85	2.5	4.2	6	7.88	9.78	11.63	13.55	15.6
	kg	32000	23150	12755	9167	6670	5379	4368	3720	3300



	BS 680B.4	BS 680B.5	BS 680B.6
Lifting Capacity(KN.m)	630	630	630
Standard Reach(m)	11.6	13.54	15.6
Hydraulic Extension (m)	5.8	5.8	5.8
Rotation	∞	∞	∞
Working Pressure(MPa)	32	32	32
Pump Capacity(cc/r)	40-80	40-80	40-80
Oil Tank Capacity (L)	190	190	190
Crane Weight (kg)	7110±70	7320±70	7550±70

X(MM)	D	E	F	G	H	I	J
BS 680B.4	1468	2335	2680	4265	2410	2416	8216
BS 680B.5	1510	2355	2695	4300	2445	2450	8250
BS 680B.6	1594	2463	2625	4317	2450	2450	8250