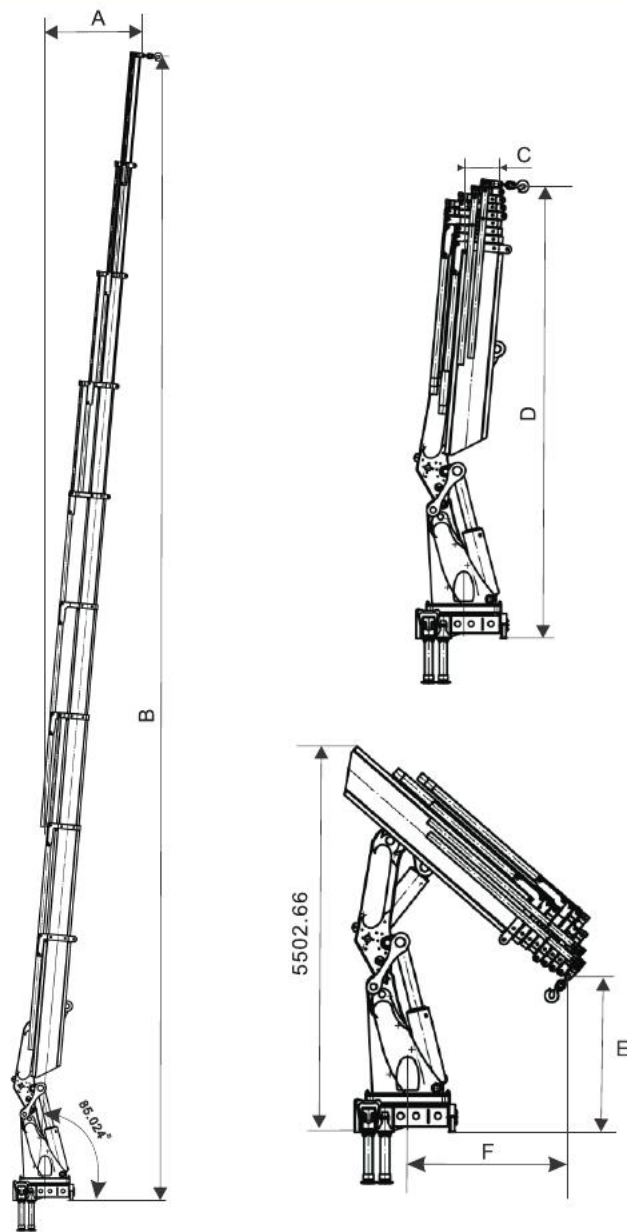


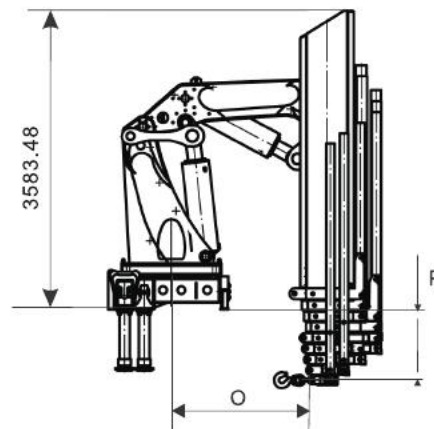
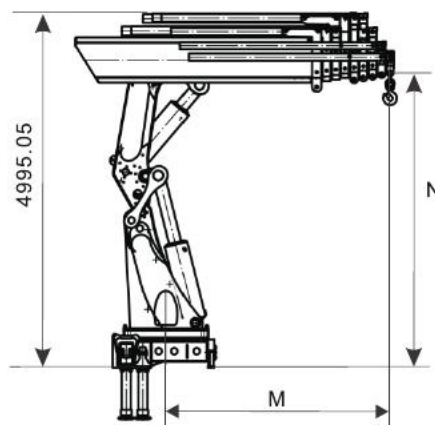
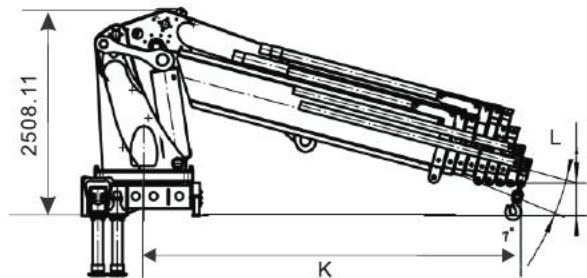
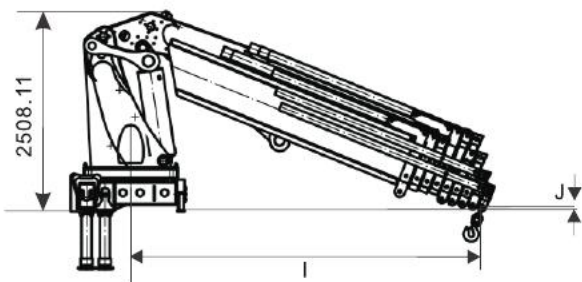
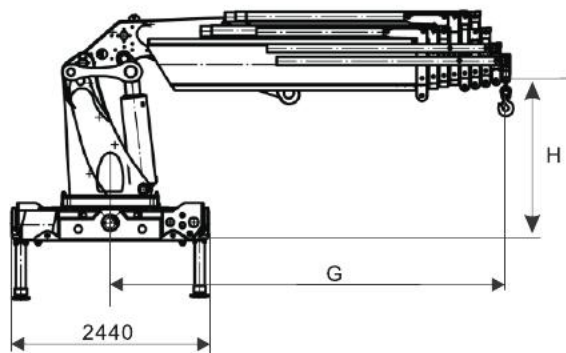
| | | | | | | | | | | | | | |
|--------|----|-------|-------|-------|-------|-------|------|-------|-------|-------|-------|-------|-------|
| 800B.4 | m | 1.85 | 2.5 | 3.86 | 4.39 | 6.93 | 9.47 | 12.01 | 14.55 | | | | |
| | kg | 40000 | 28800 | 17500 | 1500 | 9350 | 6650 | 5300 | 4500 | | | | |
| 800B.6 | m | 1.84 | 2.5 | 3.86 | 4.65 | 7.19 | 9.73 | 12.27 | 14.81 | 17.35 | 19.89 | | |
| | kg | 40000 | 28500 | 17200 | 13700 | 8600 | 6100 | 4780 | 4000 | 3620 | 3380 | | |
| 800B.8 | m | 1.8 | 2.5 | 3.86 | 4.90 | 7.44 | 9.98 | 12.52 | 15.06 | 17.6 | 20.14 | 22.68 | 25.22 |
| | kg | 40000 | 28000 | 16700 | 12300 | 77500 | 5400 | 4200 | 3500 | 3150 | 2980 | 2850 | 2450 |

BS 800B.4 BS 800B.6 BS 800B.8

| | | | |
|-------------------------|----------|----------|----------|
| Lifting Capacity(KN.m) | 800 | 800 | 800 |
| Standard Reach(m) | 14.55 | 19.89 | 25.22 |
| Hydraulic Extension (m) | 5.8 | 5.8 | 5.8 |
| Rotation | ∞ | ∞ | ∞ |
| Working Pressure(MPa) | 32 | 32 | 32 |
| Pump Capacity(cc/r) | 80 | 80 | 80 |
| Oil Tank Capacity (L) | 200 | 200 | 200 |
| Crane Weight (kg) | 11000±50 | 12000±50 | 12800±50 |



| X(MM) | A | B | C | D | E | F |
|-----------|---------|----------|--------|---------|---------|---------|
| BS 800B.4 | 1506.73 | 16962.08 | 625.43 | 6840.37 | 2488.26 | 1848.33 |
| BS 800B.6 | 1920.79 | 22286.23 | 598.83 | 7103.67 | 2354.84 | 2076.88 |
| BS 800B.8 | 2340.48 | 27598.34 | 577.87 | 7354.94 | 2223.95 | 2192.38 |



| X(MM) | G | H | I | J | K | L |
|------------------|---------|---------|---------|--------|---------|--------|
| BS 800B.4 | 4392.33 | 1902.81 | 3941.16 | 154.79 | 4070.85 | 436 |
| BS 800B.6 | 4652.33 | 1952.14 | 4200.75 | 103.35 | 4334.78 | 416.59 |
| BS 800B.8 | 4900.83 | 1994.82 | 4447.19 | 50.05 | 4585.88 | 393.72 |

| X(MM) | M | N | O | P |
|------------------|---------|---------|---------|--------|
| BS 800B.4 | 2650.13 | 3981.38 | 1592.66 | 339.52 |
| BS 800B.6 | 2910.13 | 4123.71 | 1641.99 | 599.52 |
| BS 800B.8 | 3158.63 | 4166.39 | 1684.67 | 848.02 |