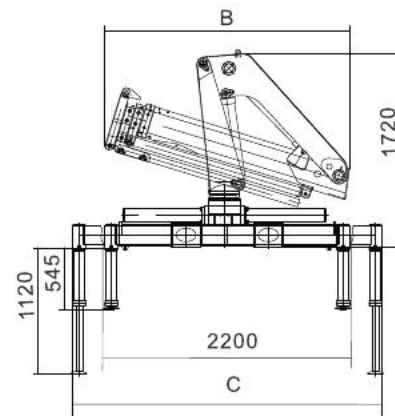


	BS 060.2	BS 060.3
A_{min} (mm)	3295	3375
A_{max} (mm)	6145	7725
B	2120	2200
C	3430	3430



060.2	m	2	3.1	4.6	6.15	
	kg	2600	2000	1200	1000	
060.3	m	2	3.1	4.6	6.18	7.7
	kg	2500	1750	1100	850	700



	BS 060.2	BS 060.3
Lifting Capacity (KN.m)	60	60
Standard Reach(m)	6.15	7.7
Hydraulic Extension(m)	1.23	2.84
Rotation	400°	400°
Working Pressure(MPa)	26	26
Pump Capacity(cc/r)	37-60	37-60
Oil Tank Capacity (L)	50	50
Crane Weight (kg)	1250 ±20	1380 ±20

Option for Outrigger



BS 060.2
Horizontal Outrigger
Hydraulic Control