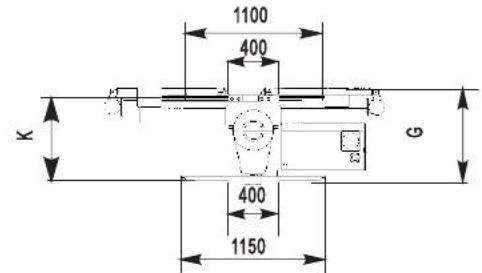
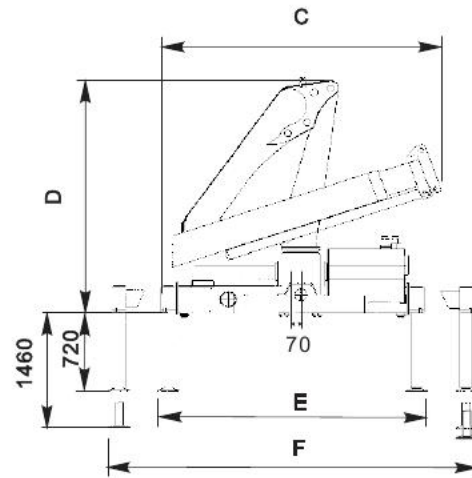


X(MM)	Amin	Amax	B
<b>BS 090.2</b>	3620	7450	2330
<b>BS 090.3</b>	3705	8800	2330

090.2	m	2	3	3.6	5.46	7.15	
	kg	4050	2700	2250	1500	1150	
090.3	m	2	3	3.7	5.55	7.15	8.8
	kg	4000	2600	2080	1430	1050	850



	BS 090.2	BS 090.3
<b>Lifting Capacity (KN.m)</b>	90	90
<b>Standard Reach(m)</b>	7.15	8.8
<b>Hydraulic Extension(m)</b>	1.35	1.35
<b>Rotation</b>	400°	400°
<b>Working Pressure(MPa)</b>	26	26
<b>Pump Capacity(cc/r)</b>	40-80	40-80
<b>Oil Tank Capacity (L)</b>	120	120
<b>Crane Weight (kg)</b>	2000 ±20	2150 ±20

X(MM)	C	D	E	F	G	K
<b>BS 090.2</b>	2370	1975	2280	3630	743	663
<b>BS 090.3</b>	2400	1975	2280	3630	843	763