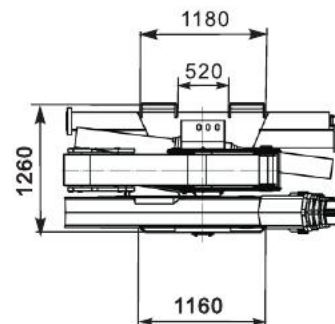
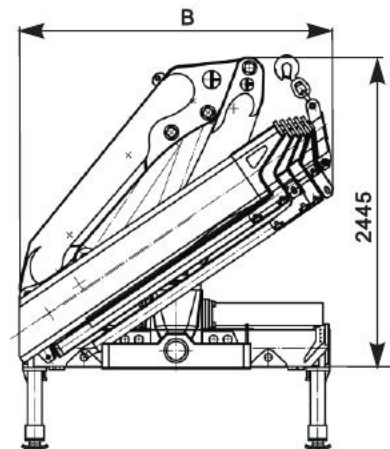
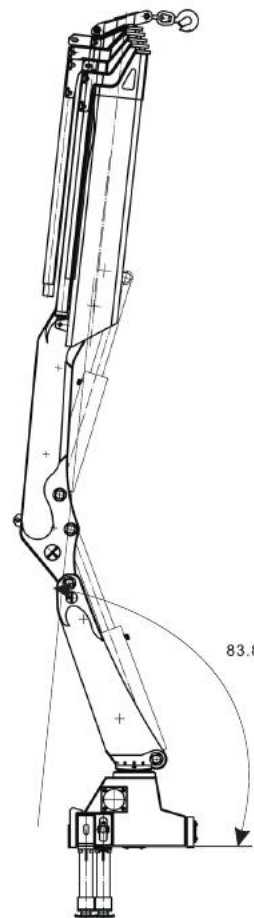


330.3	m	1.88	2.5	4.48	6.37	8.31	10.22	
	kg	16500	12200	6350	4300	3250	2680	
330.4	m	1.86	2.5	4.48	6.37	8.31	10.22	12.14
	kg	16500	12000	6150	4180	3150	2580	2250
330.5	m	1.83	2.5	4.53	6.42	8.36	10.27	12.19
	kg	16500	11700	5800	4050	3050	2500	2150
								14.16
								1900



	BS 330.3	BS 330.4	BS 330.5
Lifting Capacity(KN.m)	330	330	330
Standard Reach(m)	10.22	12.14	14.16
Hydraulic Extension (m)	3.54	3.54	3.54
Rotation	385°	385°	385°
Working Pressure(MPa)	30	30	30
Pump Capacity(cc/r)	40-100	40-100	40-100
Oil Tank Capacity (L)	160	160	160
Crane Weight (kg)	4110±50	4370±50	4520±50