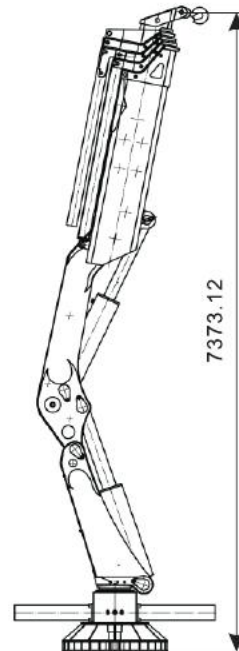
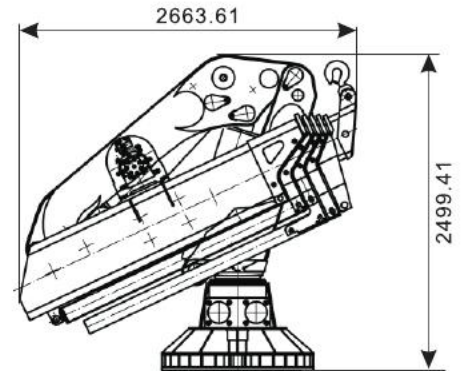
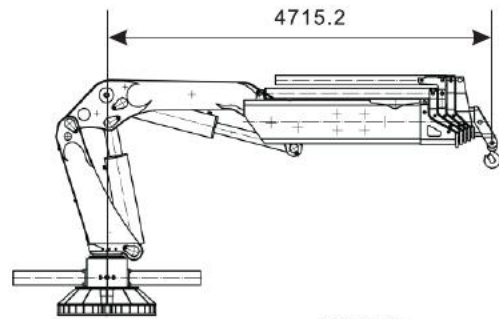
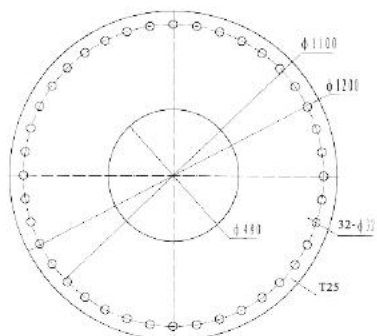
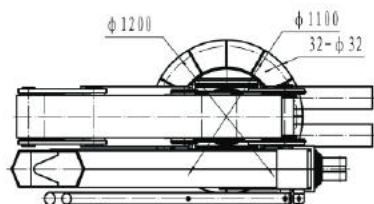


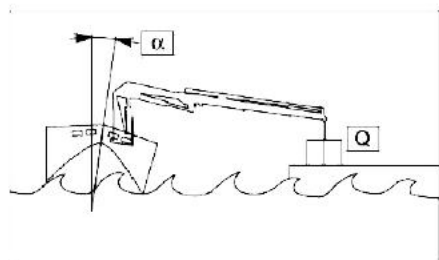
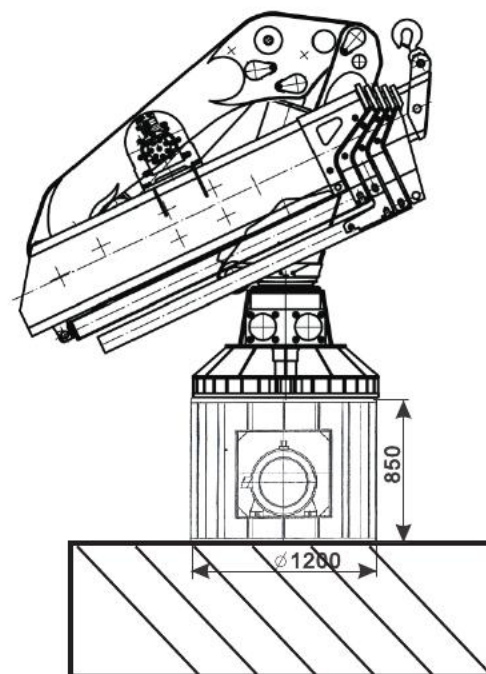
500.4M	m	1.72	4.37	6.2	8.06	9.98	11.90		
	kg	25000	9300	6500	4730	3920	3325		
500.6M	m	1.72	4.51	6.33	8.20	10.11	12.03	13.95	15.92
	kg	25000	8400	5750	4450	3600	3050	2700	2500



	BS 500M.4	BS 500M.6
Lifting Capacity(KN.m)	500	500
Standard Reach(m)	11.9	15.92
Rotation	365°	365°
Working Pressure(MPa)	28	28
Pump Capacity(cc/r)	Below 80	Below 80
Oil Tank Capacity (L)	190	190
Crane Weight (kg)	±50	±50

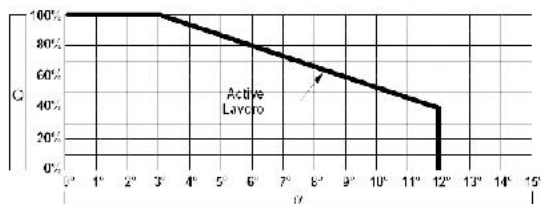
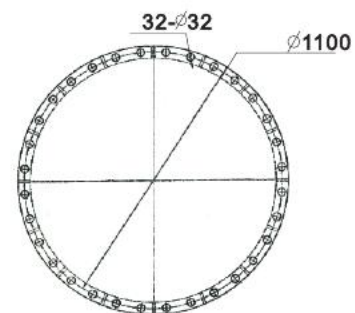


Mounting Plate



Power Station Parameter

Oil tank capacity (L)	300L
Power (KW)	22kw
Pump capacity (cc/r)	Below 60cc



Options:

1. Power Station
2. Rod plating: Hard Cr or WC or Ceramic(Cr203)
3. Fitting & Coupling: Stainless Steel or Zn plated
4. Winch