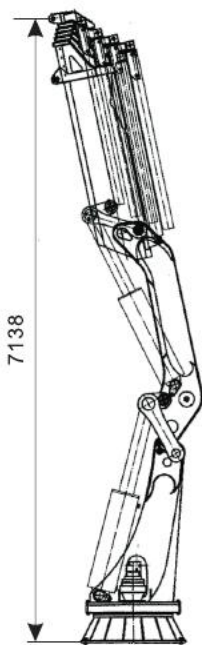
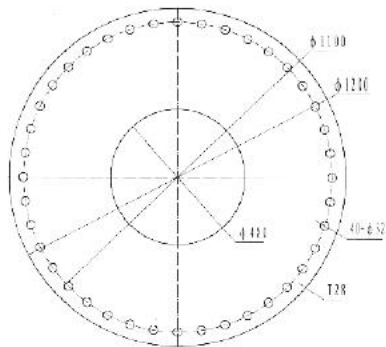
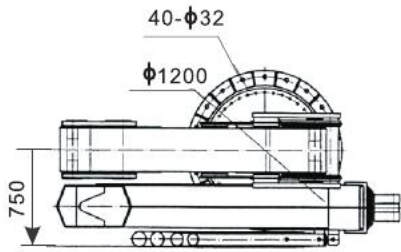


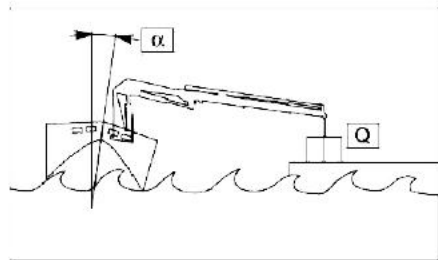
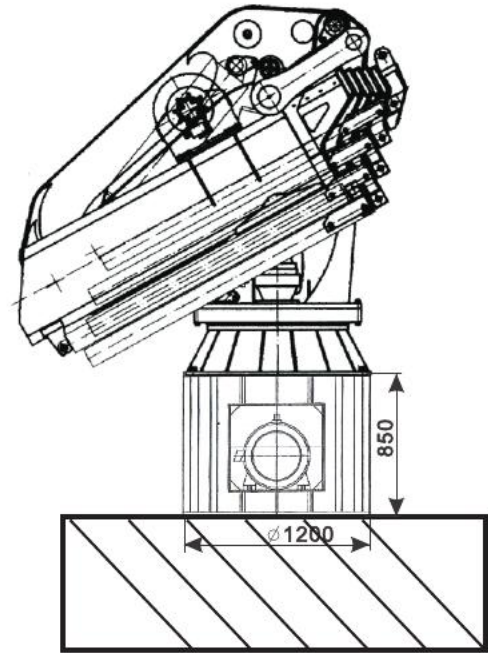
680M	m	1.85	2.50	4.73	6.53	8.37	10.27	12.21	14.07
	kg	32000	23000	12200	8800	6500	5300	4500	3600



BS 680M	
Lifting Capacity(KN.m)	630
Standard Reach(m)	14.07
Rotation	∞
Working Pressure(MPa)	31
Pump Capacity(cc/r)	80
Oil Tank Capacity (L)	190
Crane Weight (kg)	6300±50

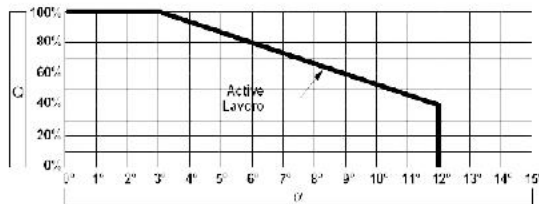
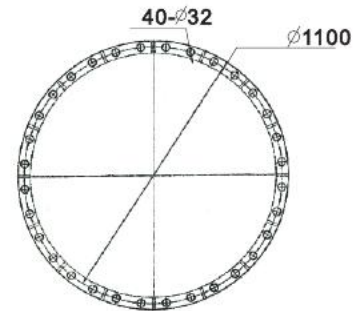


Mounting Plate



Power Station Parameter

Oil tank capacity (L)	300L
Power (KW)	22kw
Pump capacity (cc/r)	Below 60cc



Options:

1. Power Station
2. Rod plating: Hard Cr or WC or Ceramic(Cr2O3)
3. Fitting & Coupling: Stainless Steel or Zn plated
4. Winch