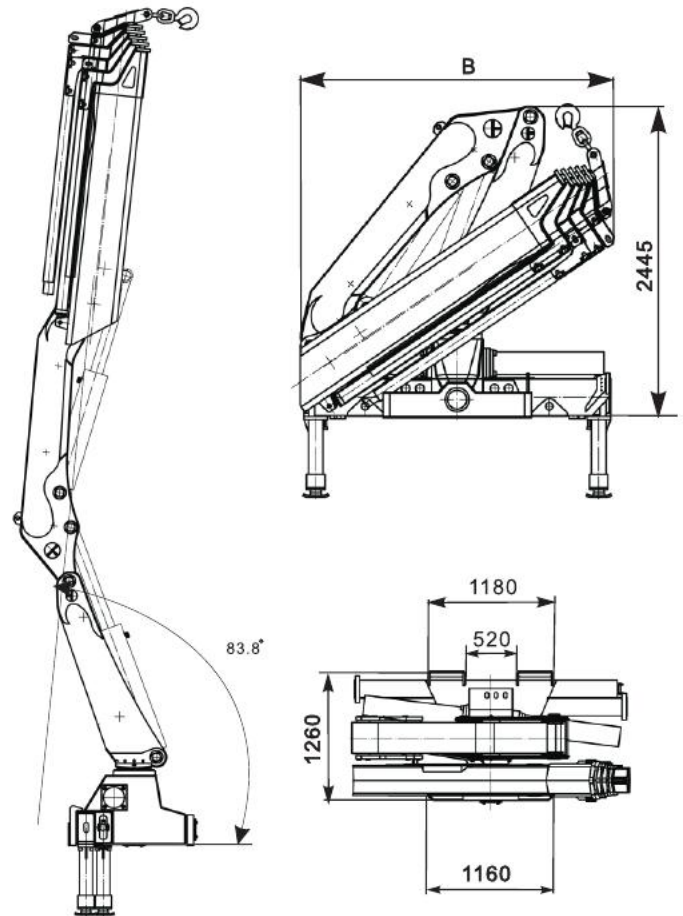
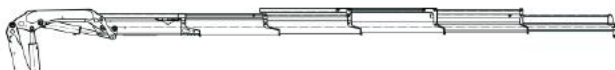
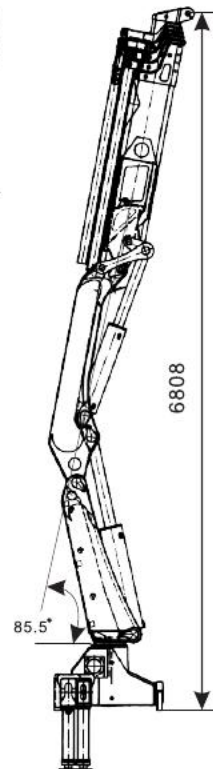
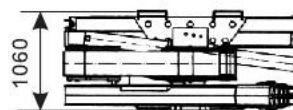
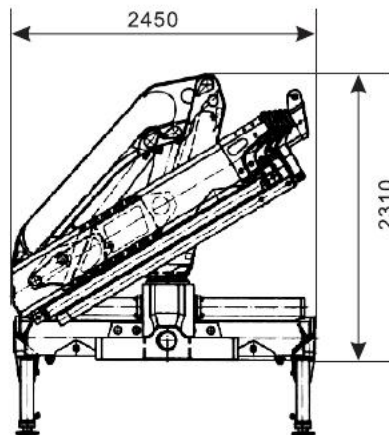
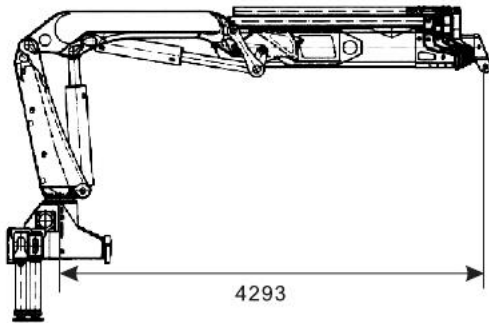


330.3	m	1.88	2.5	4.48	6.37	8.31	10.22	
	kg	16500	12200	6350	4300	3250	2680	
330.4	m	1.86	2.5	4.48	6.37	8.31	10.22	12.14
	kg	16500	12000	6150	4180	3150	2580	2250
330.5	m	1.83	2.5	4.53	6.42	8.36	10.27	12.19
	kg	16500	11700	5800	4050	3050	2500	2150
								14.16
								1900



	BS 330.3	BS 330.4	BS 330.5
Lifting Capacity(KN.m)	330	330	330
Standard Reach(m)	10.22	12.14	14.16
Hydraulic Extension (m)	3.54	3.54	3.54
Rotation	385°	385°	385°
Working Pressure(MPa)	30	30	30
Pump Capacity(cc/r)	40-100	40-100	40-100
Oil Tank Capacity (L)	160	160	160
Crane Weight (kg)	4110±50	4370±50	4520±50



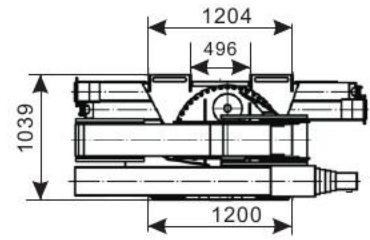
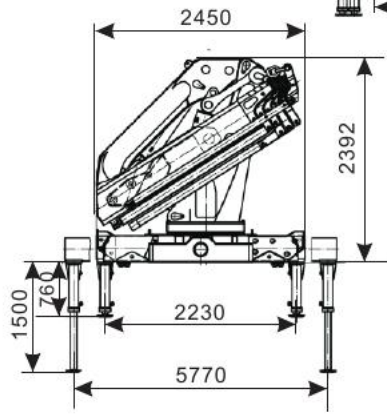
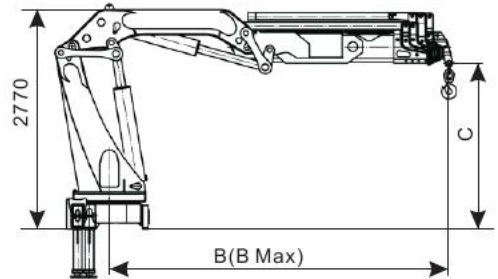
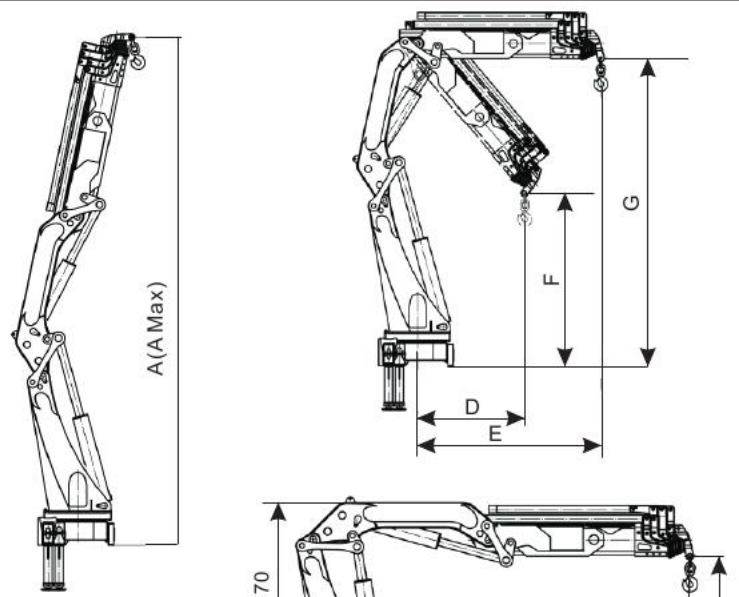
230.3	m	1.91	2.5	4.26	6.08	7.95	9.86		
	kg	11000	8900	5080	3680	2650	2150		
230.4	m	1.89	2.5	4.29	6.11	7.98	9.9	11.81	
	kg	11000	8800	5000	3600	2600	2100	1650	
230.5	m	1.82	2.5	4.29	6.11	7.98	9.9	11.81	13.78
	kg	11000	8700	4900	3500	2550	2050	1600	1350

	BS 230.3	BS230.4	BS230.5
Lifting Capacity(KN.m)	220	220	220
Standard Reach(m)	9.86	11.81	13.78
Hydraulic Extension (m)	3.54	3.54	3.54
Rotation	385°	385°	385°
Working Pressure(MPa)	28.5	28.5	28.5
Pump Capacity(cc/r)	Below 80	Below 80	Below 80
Oil Tank Capacity (L)	120	120	120
Crane Weight (kg)	3150±50	3400±50	3600±50



	m	1.85	2.5	4.2	6.0	7.87	9.83	11.8		
323B.4	kg	16500	11800	6600	4630	3600	2850	2300		
	m	1.8	2.5	4.3	6.0	7.9	9.85	11.85	13.7	
323B.5	kg	16500	11500	6000	4300	3340	2650	2180	1920	
	m	1.78	2.5	4.4	6.18	8	9.97	11.88	13.85	15.82
323B.6	kg	16500	10800	5600	4020	3100	2420	2050	1520	1320

	BS 323B.4	BS 323B.5	BS 323B.6
Lifting Capacity (KN.m)	320	320	320
Standard Reach(m)	11.8	13.7	15.8
Hydraulic Extension(m)	3.54	3.54	3.54
Rotation			
Working Pressure(MPa)	32	32	32
Pump Capacity(cc/r)	40-100	40-100	40-100
Oil Tank Capacity (L)	160	160	160
Crane Weight (kg)	4250±50	4475±50	4640±50



X(MM)	A	Amax	B	Bmax	C	D	E	F	G
BS 323B.4	6860	14275	4240	11810	2056	1600	2495	2534	4233
BS 323B.5	6890	16171	4260	13745	2098	1640	2515	2545	4270
BS 323B.6	6995	18207	4365	15820	2131	1737.5	2620	2494	4303