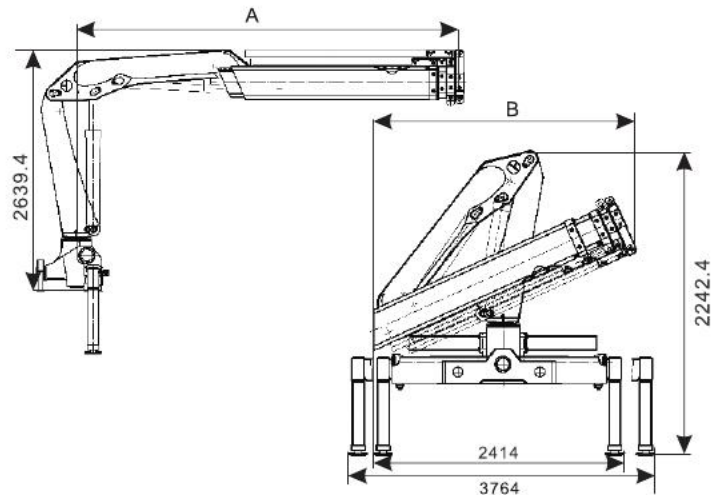


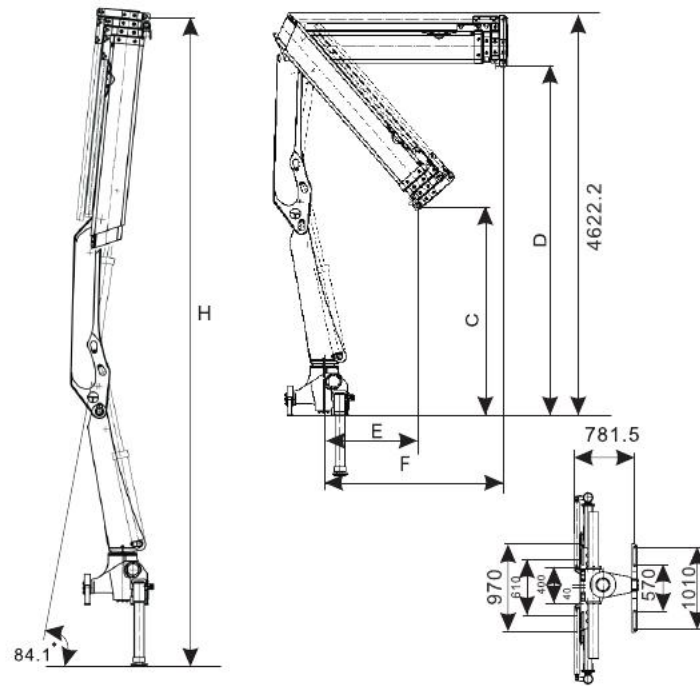
096.2	m	1.95	2.5	3.87	5.47	7.17	
	kg	4800	3800	3100	2100	1600	
096.3	m	1.92	2.5	3.96	5.56	7.26	9.04
	kg	4800	3750	3050	2050	1530	1150
096.4	m	1.88	2.5	4.06	5.64	7.36	9.15
	kg	4800	3650	2950	1950	1450	1000
							830

	BS 096.2	BS 096.3	BS 096.4
Lifting Capacity(KN.m)	96	96	96
Standard Reach(m)	7.17	9.04	10.9
Hydraulic Extension (m)	1.35	1.35	3
Rotation	400°	400°	400°
Working Pressure(MPa)	26	26	26
Pump Capacity(cc/r)	40-80	40-80	40-80
Oil Tank Capacity (L)	120	120	120
Crane Weight (kg)	2100 ±20	2250 ±20	2380±20

X(MM)	A	C	F	H	L	M
BS 096.2	3872	2210.3	3764	6274.2	2088.6	1010
BS 096.3	3968	2332.2	3764	6371.1	2012.1	1010
BS 096.4	4064	2427.9	5414	6467.9	2115.6	1010

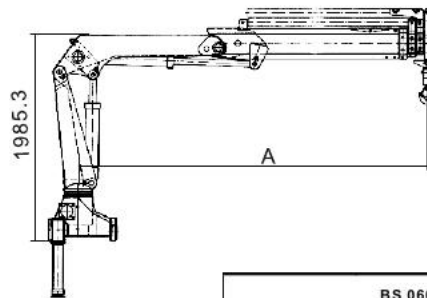


130.2	m	1.85	2.5	4.09	5.94	7.86	
	kg	6000	4100	3050	2000	1350	
130.3	m	1.81	2.5	4.18	6.03	7.95	9.92
	kg	6000	4000	2950	1950	1300	1000



	BS 130.2	BS 130.3
Lifting Capacity(KN.m)	120	120
Standard Reach(m)	7.86	9.92
Hydraulic Extension (m)	1.35	1.35
Rotation	400°	400°
Working Pressure(MPa)	28	28
Pump Capacity(cc/r)	40-100	40-100
Oil Tank Capacity (L)	170	170
Crane Weight (kg)	2200±20	2350±20

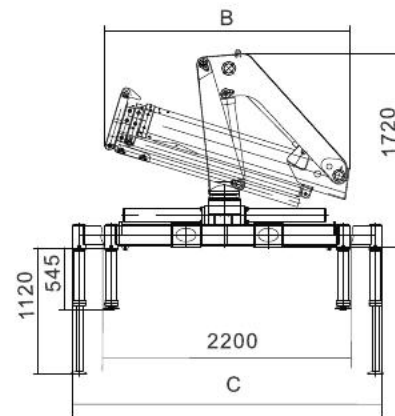
X(MM)	A	B	C	D	E	F	H
BS 130.2	4102.1	2414.4	2474	4043.4	1010	1974.4	6492.7
BS 130.3	4198.1	2534.4	2413.6	4061.4	1086.8	2070.4	6590.1



	BS 060.2	BS 060.3
A_{min} (mm)	3295	3375
A_{max} (mm)	6145	7725
B	2120	2200
C	3430	3430



060.2	m	2	3.1	4.6	6.15	
	kg	2600	2000	1200	1000	
060.3	m	2	3.1	4.6	6.18	7.7
	kg	2500	1750	1100	850	700

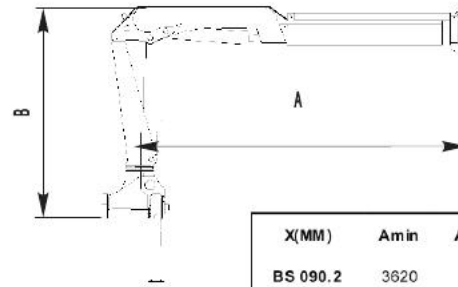


	BS 060.2	BS 060.3
Lifting Capacity (KN.m)	60	60
Standard Reach(m)	6.15	7.7
Hydraulic Extension(m)	1.23	2.84
Rotation	400°	400°
Working Pressure(MPa)	26	26
Pump Capacity(cc/r)	37-60	37-60
Oil Tank Capacity (L)	50	50
Crane Weight (kg)	1250 ±20	1380 ±20

Option for Outrigger

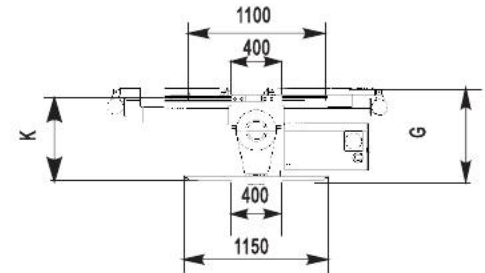
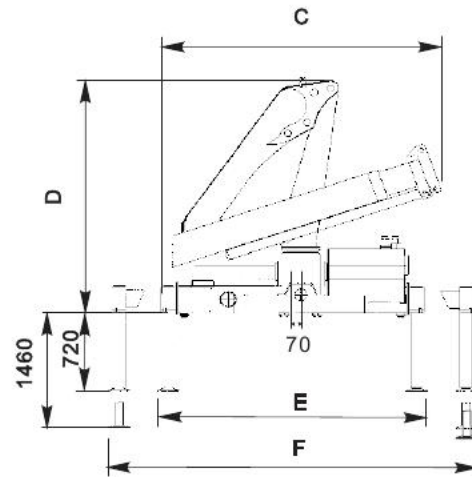


BS 060.2
Horizontal Outrigger
Hydraulic Control



X(MM)	Amin	Amax	B
BS 090.2	3620	7450	2330
BS 090.3	3705	8800	2330

090.2	m	2	3	3.6	5.46	7.15	
	kg	4050	2700	2250	1500	1150	
090.3	m	2	3	3.7	5.55	7.15	8.8
	kg	4000	2600	2080	1430	1050	850



	BS 090.2	BS 090.3
Lifting Capacity (KN.m)	90	90
Standard Reach(m)	7.15	8.8
Hydraulic Extension(m)	1.35	1.35
Rotation	400°	400°
Working Pressure(MPa)	26	26
Pump Capacity(cc/r)	40-80	40-80
Oil Tank Capacity (L)	120	120
Crane Weight (kg)	2000 ±20	2150 ±20

X(MM)	C	D	E	F	G	K
BS 090.2	2370	1975	2280	3630	743	663
BS 090.3	2400	1975	2280	3630	843	763