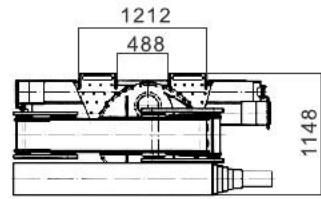
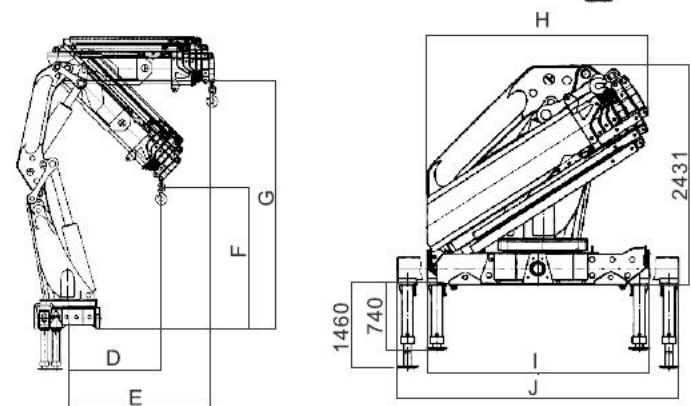


510B4	m	1.9	2.5	4.1	5.9	7.8	9.7	11.6		
	kg	25000	18500	10000	7200	5200	4200	3500		
510B6	m	1.85	2.5	4.2	6	7.88	9.78	11.63	13.55	15.6
	kg	25000	17950	9660	7000	5020	4050	3250	2780	2600



	BS 510B.4	BS 510B.5	BS 510B.6
Lifting Capacity(KN.m)	500	500	500
Standard Reach(m)	11.6	13.54	15.6
Hydraulic Extension (m)	5.8	5.8	5.8
Rotation	∞	∞	∞
Working Pressure(MPa)	32	32	32
Pump Capacity(cc/r)	40-80	40-80	40-80
Oil Tank Capacity (L)	170	170	170
Crane Weight (kg)	6110±50	6310±50	6550±50

X(MM)	D	E	F	G	H	I	J
BS 510B.4	1468	2335	2658	4241	2410	2416	8216
BS 510B.5	1510	2355	2672	4282	2445	2450	8250
BS 510B.6	1594	2463	2602	4292	2450	2450	8250