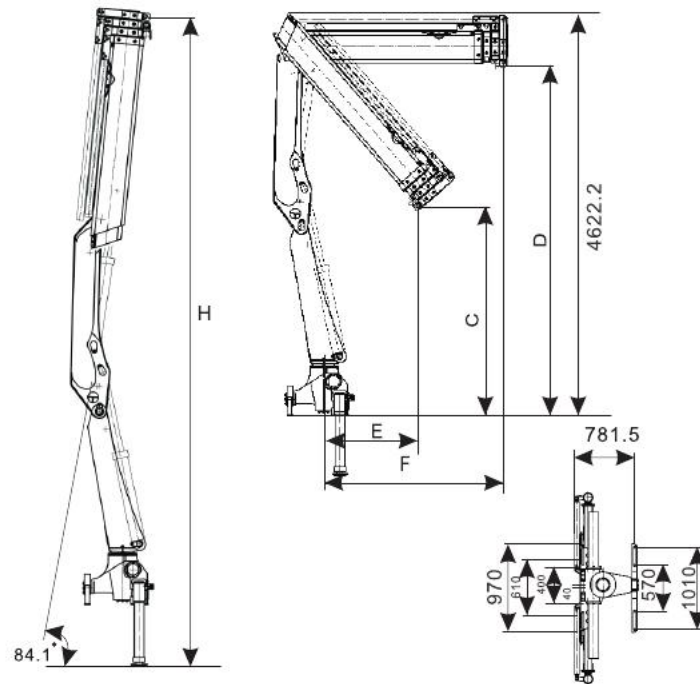


130.2	m	1.85	2.5	4.09	5.94	7.86	
	kg	6000	4100	3050	2000	1350	
130.3	m	1.81	2.5	4.18	6.03	7.95	9.92
	kg	6000	4000	2950	1950	1300	1000



	BS 130.2	BS 130.3
Lifting Capacity(KN.m)	120	120
Standard Reach(m)	7.86	9.92
Hydraulic Extension (m)	1.35	1.35
Rotation	400°	400°
Working Pressure(MPa)	28	28
Pump Capacity(cc/r)	40-100	40-100
Oil Tank Capacity (L)	170	170
Crane Weight (kg)	2200±20	2350±20

X(MM)	A	B	C	D	E	F	H
BS 130.2	4102.1	2414.4	2474	4043.4	1010	1974.4	6492.7
BS 130.3	4198.1	2534.4	2413.6	4061.4	1086.8	2070.4	6590.1