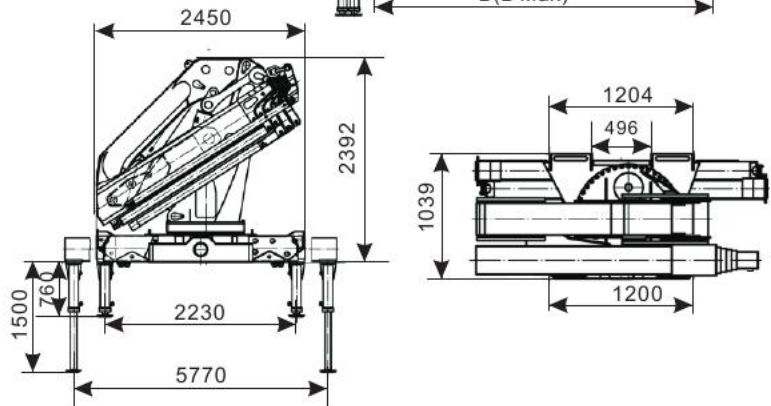
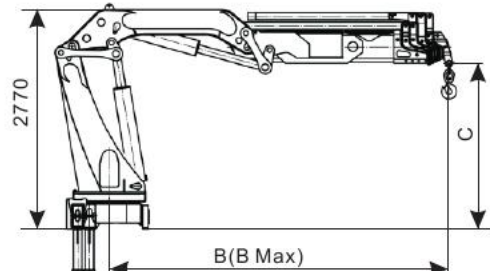
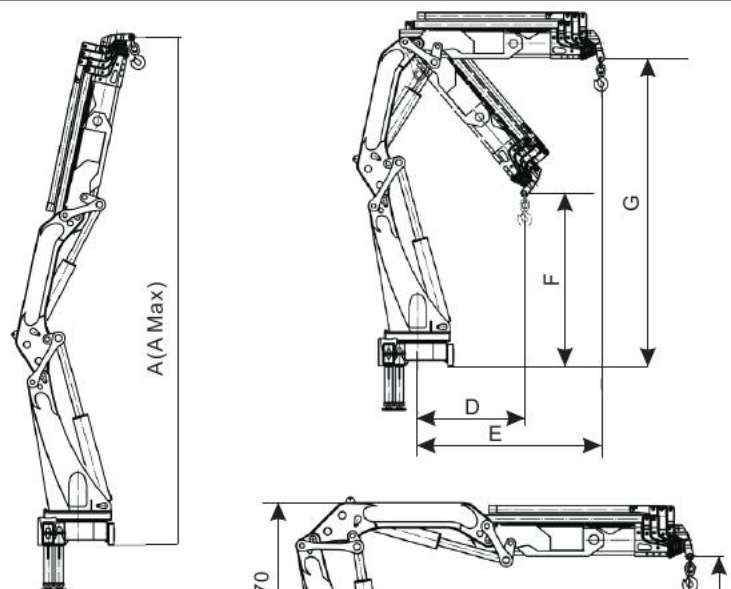




	m	1.85	2.5	4.2	6.0	7.87	9.83	11.8		
323B.4	kg	16500	11800	6600	4630	3600	2850	2300		
	m	1.8	2.5	4.3	6.0	7.9	9.85	11.85	13.7	
323B.5	kg	16500	11500	6000	4300	3340	2650	2180	1920	
	m	1.78	2.5	4.4	6.18	8	9.97	11.88	13.85	15.82
323B.6	kg	16500	10800	5600	4020	3100	2420	2050	1520	1320



	BS 323B.4	BS 323B.5	BS 323B.6
Lifting Capacity (KN.m)	320	320	320
Standard Reach(m)	11.8	13.7	15.8
Hydraulic Extension(m)	3.54	3.54	3.54
Rotation			
Working Pressure(MPa)	32	32	32
Pump Capacity(cc/r)	40-100	40-100	40-100
Oil Tank Capacity (L)	160	160	160
Crane Weight (kg)	4250±50	4475±50	4640±50

X(MM)	A	Amax	B	Bmax	C	D	E	F	G
BS 323B.4	6860	14275	4240	11810	2056	1600	2495	2534	4233
BS 323B.5	6890	16171	4260	13745	2098	1640	2515	2545	4270
BS 323B.6	6995	18207	4365	15820	2131	1737.5	2620	2494	4303